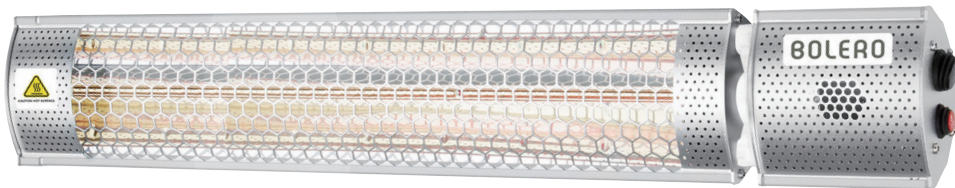


BOLERO

Patio heater Instruction manual



**Model:
FS397**

Safety Instructions

Electrical requirements:

This appliance should only be connected to the mains electricity supply by a qualified electrician. Hardwire the appliance into a suitable power supply with correct voltage and sufficient power capacity. Refer to the product label on the appliance for voltage and wattage requirements.

Under no circumstances put a plug on the cable.

- A service agent/qualified technician should carry out installation and any repairs if required. Do not remove any components on this product.
- Consult Local and National Standards to comply with the following:
 - Health and Safety at Work Legislation
 - BS EN Codes of Practice
 - Fire Precautions
 - IEE Wiring Regulations
 - Building Regulations
- **Caution!** Some parts of this appliance can become very hot and cause burns. Particular attention has to be given where children and vulnerable people are present.
- Keep combustible materials, such as clothes, curtains and other furnishings, away from the appliance.
- Do not touch the fireguard or reflecting cover when in use.
- Do not use in any area where there is a presence of gases, explosives or flammable objects.
- Do not allow the power cord to hang over a countertop or come into contact with any hot surface.
- Do not locate the appliance immediately below a socket-outlet or under dripping clothes.



- This appliance can be used by children aged from 8 years and above and persons with reduced physical, sensory or mental capabilities or lack of experience and knowledge if they have been given supervision or instruction concerning the use of the appliance in a safe way and understand the hazards involved. Children must not play with the appliance. Cleaning and user maintenance must not be made by children without supervision.
- Children aged from 3 years and less than 8 years shall only switch on/off the appliance provided that it has been placed or installed in its intended normal operating position and they have been given supervision or instruction concerning use of the appliance in a safe way and understand the hazards involved. Children aged from 3 years and less than 8 years shall not plug in, regulate and clean the appliance or perform user maintenance.
- Children of less than 3 years should be kept away unless continuously supervised.
- Intended for outdoor use but not suitable for locations that are wet/humid or exposed to rainfall/snowfall. The location should be sheltered from the effects of weather.
- Do NOT insert any objects into the openings.
- Do NOT immerse the appliance in water.
- Do not leave the appliance unattended when in use.
- Do not use the appliance for anything other than its intended use.
- Do not use if damaged.
- Avoid the use of extension cords.
- Always switch off and disconnect the power supply to the appliance before installation, when not in use, before cleaning and maintaining/service procedure.

- DO NOT obstruct or cover the appliance in any way when in use.
- Keep all packaging away from children. Dispose of the packaging in accordance to the regulations of local authorities.
- If the power cord is damaged, it must be replaced by a BOLERO agent or a recommended qualified technician in order to avoid a hazard.
- BOLERO recommend that this appliance should be periodically tested (at least annually) by a Competent Person. Testing should include, but not be limited to: Visual Inspection, Polarity Test, Earth Continuity, Insulation Continuity and Functional Testing.
- BOLERO recommend that this product is connected to a circuit protected by an appropriate RCD (Residual Current Device).

Introduction

Please take a few moments to carefully read through this manual. Correct maintenance and operation of this machine will provide the best possible performance from your Bolero product.

Featured with the even heat distribution from the gold halogen lamp, this infrared heater can save up to 30%-40% of electricity in comparison with traditional heaters. Ideal for outdoor spot heating like patios, and so on.

Pack Contents

The following is included:

- Patio heater
- Remote control
- Instruction manual
- Installation fixings

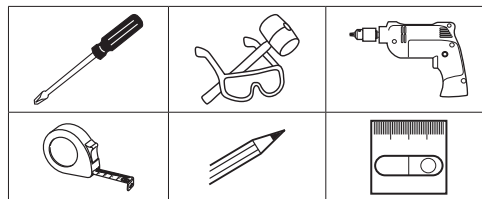
BOLERO prides itself on quality and service, ensuring that at the time of packaging the contents are supplied fully functional and free of damage.

Should you find any damage as a result of transit, please contact your BOLERO dealer immediately.

Preparation

- Carefully unpack the appliance and remove all packing materials.
- All recommended fixings are supplied. Do not use less substantial fittings.
- Any additional or replacement parts shall only be obtained from the BOLERO agent.
- For safe use of the product, the unit is recommend to be installed to brickwork or blockwork using fixings that are appropriate to the wall.

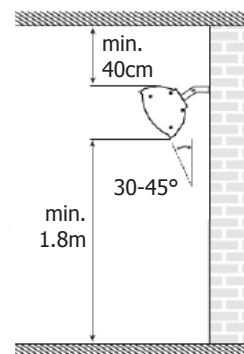
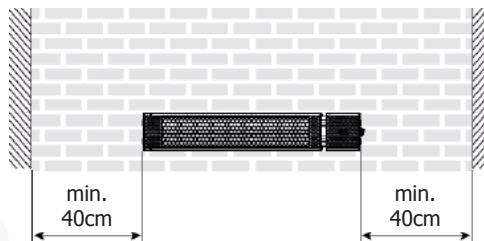
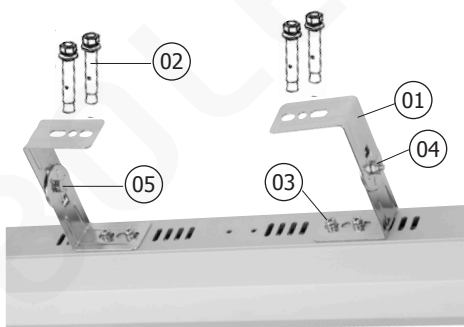
Tools Required (Not included)



Installation

Guide on the installation fixings

01	Bracket		x4
02	Screw	M6x60 mm	x4
03	Screw	M5x10 mm	x4
04	Nut	M6	x2
05	Screw	M6x12 mm	x2

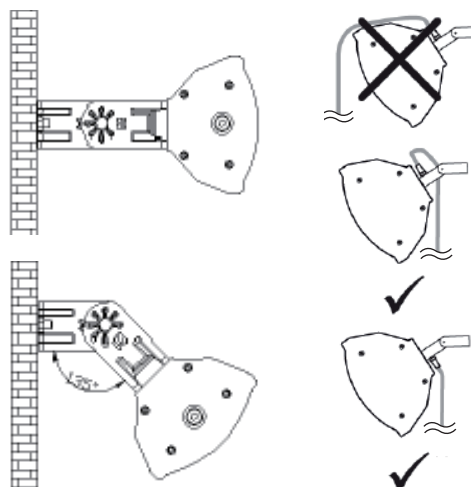


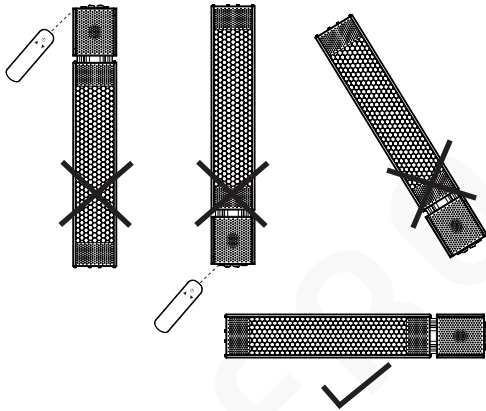
Important: Ensure that the supply cables are well arranged and do not come into contact with reflector of the heater or trail into heated area.

The cables can be fixed to the mounting bracket at the rear with a cable tie.




Caution:

- When mounting, observe fire-fighting regulations in force in the country of installation.
- Ensure that all fixings are checked and tightened as necessary.
- Before drilling holes, ensure there are no electric wires or water pipes underneath.
- With the specifically designed brackets, the heater can be mounted to a wall or ceiling.
- For sufficient ventilation and free adjustment of the appliance, ensure a minimum clearance of 40cm is maintained at the sides and on the top. The heater must be installed at least 1.8m above the floor.





- Use the remote control:

 button	Press to turn heater on/off
 button	Power level 1: Heater on with 50% power
 button	Power level 2: Heater on with 100% power

Note: Remove the batteries if the remote control is not to be used for an extended period of time.

Cleaning, Care & Maintenance

- **Proper maintenance plays an important part in the life span and functioning of the heater.**
- **Turn off and disconnect the heater from power source before cleaning and maintenance. Ensure the surface is cool.**

- Clean the external surface using a damp cloth. If necessary, clean with a damp sponge and mild detergent. Always wipe dry after cleaning.
- DO NOT allow any moisture to enter the interior via any air inlet/outlet.
- DO NOT use alcohol, gasoline, abrasive powders, furniture polish or rough brushes for cleaning. This may cause damage or deterioration to the surface of the heater.
- **Storage:** Store in a cool, dry location when not in use to prevent dust and dirt build up.

Operation

- The power switch (black) controls the mains power supply of the appliance. Ensure to turn it On (I position) before use.
- Turn the heater on and select the Power level using the function button (red), OR using the remote control.

Using the remote control

- Remove the battery compartment cover (on the bottom). Insert 2 x 1.5V AAA batteries (not supplied), and ensure to follow polarity markings on the battery compartment. Re-locate the cover.

Troubleshooting

The appliance contains no user serviceable parts. A BOLERO dealer or qualified technician should carry out repairs if required.

Fault	Probable Cause	Solution
Appliance not working	The unit is not switched on	Check the unit is hardwired correctly and switched on
	Lead is damaged	Replace the lead
	Mains power supply fault	Check mains power supply
	Lamp expired	Call BOLERO agent or qualified Technician

Technical Specifications

Model	Voltage	Power	Current	Dimensions h x w x d mm	Weight
FS397	220-240V 50/60Hz	2000W	8.7A	72 x 627 x 105	1.7kg

Electrical Wiring

This appliance is supplied unplugged and requires hardwiring to a suitable electrical power supply.

This appliance is wired as follows:

- Live wire (coloured brown) to terminal marked L
- Neutral wire (coloured blue) to terminal marked N
- Earth wire (coloured green/yellow) to terminal marked E

This appliance must be earthed.



If in doubt consult a qualified electrician.

Electrical isolation points must be kept clear of any obstructions. In the event of any emergency disconnection being required they must be readily accessible.

Connection to a suitable power supply should only be carried out by a qualified and competent electrical engineer.

Compliance

Dispose of depleted batteries in accordance with local regulations, within the EC there are nominated disposal points for batteries.

The WEEE logo on this product or its documentation indicates that the product must not be disposed of as household waste. To help prevent possible harm to human health and/or the environment, the product must be disposed of in an approved and environmentally safe recycling process. For further information on how to dispose of this product correctly, contact the product supplier, or the local authority responsible for waste disposal in your area.



BOLERO parts have undergone strict product testing in order to comply with regulatory standards and specifications set by international, independent, and federal authorities.

BOLERO products have been approved to carry the following symbol:



All rights reserved. No part of these instructions may be produced or transmitted in any form or by any means, electronic, mechanical, photocopying, recording or otherwise, without the prior written permission of BOLERO.

Every effort is made to ensure all details are correct at the time of going to press, however, BOLERO reserve the right to change specifications without notice.

DECLARATION OF CONFORMITY

- Conformanceverklaring • Déclaration de conformité • Konformitätserklärung • Dichiarazione di conformità •
• Declaración de conformidad • Declaração de conformidade

Equipment Type • Uitrustingstype • Type d'équipement • Gerätetyp • Tipo di apparecchiatura • Tipo de equipo • Tipo de equipamento	Model • Modèle • Modell • Modello • Modelo • Malli
Wall Mounted IP55 Patio Heater	FS397
Application of Territory Legislation & Council Directives(s) Toepassing van Europese Richtlijn(en) • Application de la/des directive(s) du Conseil • Anwendbare EU-Richtlinie(n) • Applicazione delle Direttive • Aplicación de la(s) directiva(s) del consejo • Aplicação de directiva(s) do Conselho	<p>Low Voltage Directive (LVD) - 2014/35/EU Electrical Equipment (Safety) Regulations 2016 EN 60335-1:2012 +A11:2014 +A13:2017 +A1:2019 +A14:2019 A2:2019 EN 60335-2-30:2009 +A11:2012 EN 62233:2008</p> <p>Electro-Magnetic Compatibility (EMC) Directive 2014/30/EU - recast of 2004/108/EC Electromagnetic Compatibility Regulations 2016 (S.I. 2016/1091) EN 55014-1:2017 EN 55014-2:2015 EN IEC 61000-3-2:2019 EN 61000-3-3:2013 +A1:2019</p> <p>Restriction of Hazardous Substances Directive (RoHS) 2015/863 amending Annex II to Directive 2011/65/EU Restriction of the Use of Certain Hazardous Substances in Electrical and Electronic Equipment Regulations 2012 (S.I. 2012/3032)</p>
Producer Name • Naam fabrikant • Nom du producteur • Name des Herstellers • Nome del produttore • Nombre del fabricante • Nome do fabricante	Bolero

I, the undersigned, hereby declare that the equipment specified above conforms to the above Territory Legislation, Directive(s) and Standard(s).

Ik, de ondergetekende, verklaar hierbij dat de hierboven gespecificeerde uitrusting goedgekeurd is volgens de bovenstaande Richtlijn(en) en Standaard(en).

Je soussigné, confirme la conformité de l'équipement cité dans la présente à la / aux Directive(s) et Norme(s) ci-dessus

Ich, der/die Unterzeichnende, erkläre hiermit, dass das oben angegebene Gerät der/den oben angeführten Richtlinie(n) und Norm(en) entspricht.

Il sottoscritto dichiara che l'apparecchiatura di sopra specificata è conforme alle Direttive e agli Standard sopra riportati.

El abajo firmante declara por la presente que el equipo arriba especificado está en conformidad con la(s) directiva(s) y estándar(es) arriba mencionadas.

Eu, o abaixo-assinado, declaro que o equipamento anteriormente especificado está em conformidade com a(s) anterior(es) Directiva(s) e Norma(s)

Date • Data • Date • Datum • Data •
Fecha • Data

Signature • Handtekening • Signature
• Unterschrift Firma • Firma •
Assinatura

Full Name • Volledige naam • Nom et
prénom • Vollständiger Name • Nome
completo • Nombre completo • Nome
por extenso

Position • Functie • Fonction • Position
• Qualifica • Posición • Função

Producer Address • Adres fabrikant •
Adresse du producteur • Anschrift des
Herstellers • Indirizzo del produttore •
Dirección del fabricante • Morada do
fabricante

3rd June 2021

DocuSigned by:

Ashley Hooper

B39382C9FD9C478...

Ashley Hooper

Technical & Quality Manager

Fourth Way,
Avonmouth,
Bristol,
BS11 8TB
United Kingdom

DocuSigned by:

Eoghan Donnellan

D352874F7FAB460...

Eoghan Donnellan

Commercial Manager/ Importer

42 North Point Business Park
New Mallow Road
Cork
Ireland





UK	+44 (0)845 146 2887
Eire	
NL	040 – 2628080
FR	01 60 34 28 80
BE-NL	0800-29129
BE-FR	0800-29229
DE	0800 – 1860806
IT	N/A
ES	901-100 133

BOLERO

FS397_UK_A5_v1_20220107